

Back

- o Flat Cable Connectors SEK
- o *har-mik®*
- o D-Sub
- o InduCom

➔ Applications



Product details

09 38 006 2601

Male insert, Han K 4/2

Series	Han-Com®
Number of contacts	4+2 poles + PE
Size of hood/housing	Han® 16 B
Termination	Screw termination
Insert material	Standard material
Contacts	Inclusive
Electrical data	80 A 830 V 8 kV 3
Electr. data for signal area	16 A 400 V 6 kV 3
RoHS compliant	Yes

Available Downloads

Title	Format	
Data sheet	PDF	↓ download
CAD data 2D	DXF	↓ download

Inquiry

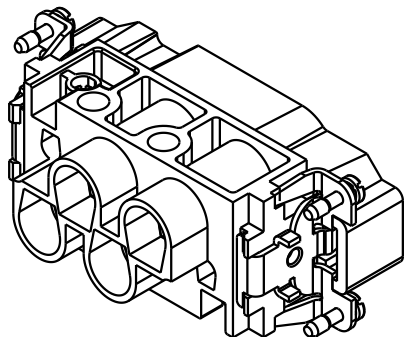
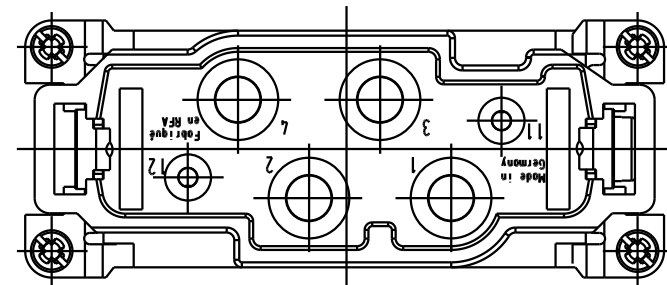
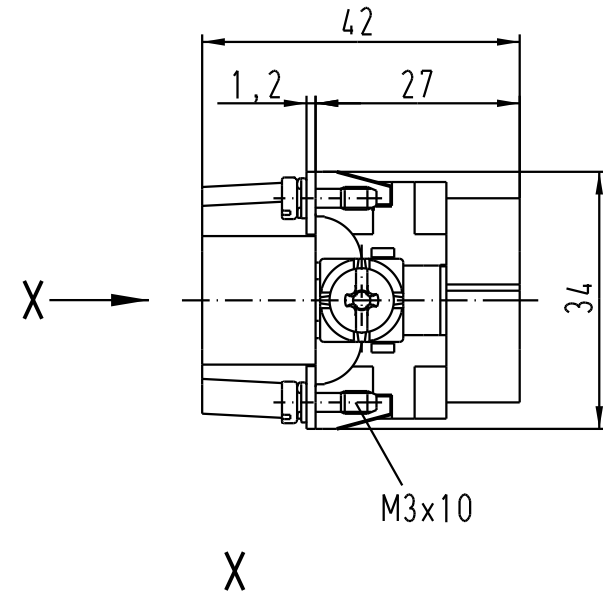
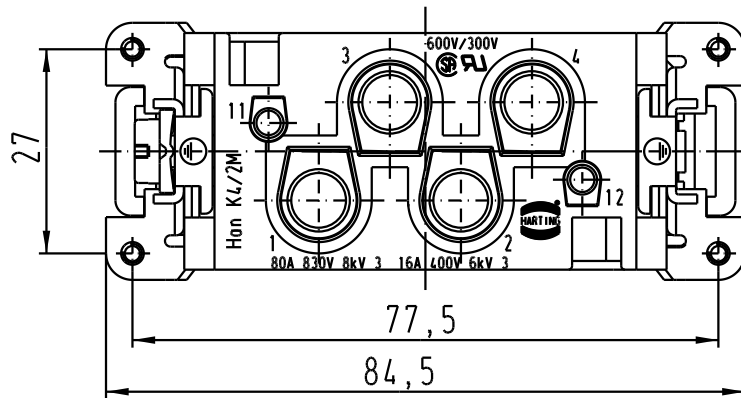
1 2 3 4 5 6

A

B

C

D



All Dimensions in mm Original Size DIN A 4			Techn. Character.			Nicht tolerierte Masse / Free size tolerances					
				Dat.	Name	Massstab / Scale					
				Detail.	12.02.93	PENNER	1 : 1				
				Insp.		HERB					
				Stand.							
411808	19.09.05	Ho	HARTING Electric GmbH & Co. KG D-32339 Espelkamp						Han K4/2-M Stifteinsatz / male insert TB 09 38 006 2601		
410883	10.02.04	Ho									
27361	15.05.00	Gä									
Mod.	Dat.	Name				Sub. TB 09 38 006 2601 v. 14.04.89			Blatt / page		